



HG2UNVBP - SPECIFICATIONS

HG2 **RUNNER**

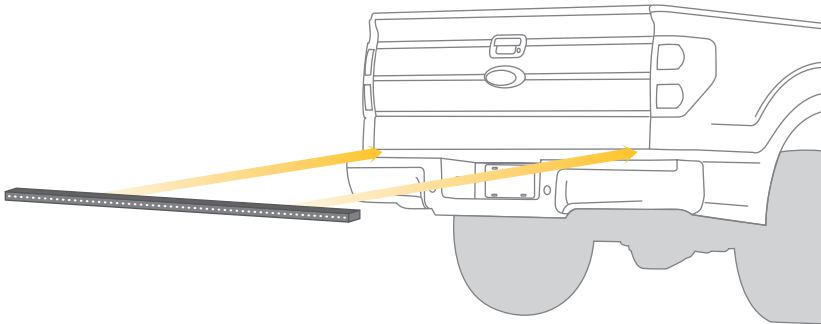
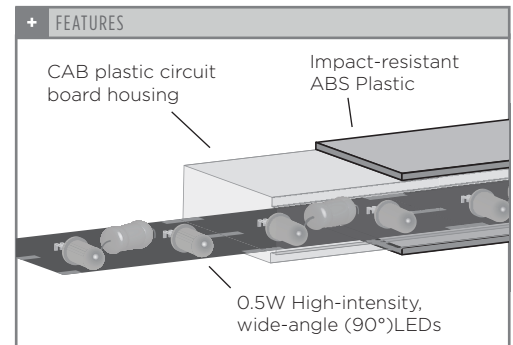
Overview:

The *HG2 Runners* Package is an extremely versatile emergency lighting system designed for maximum visibility with a minimal footprint. *HG2 Runners* were developed to enhance the outline of a vehicle's profile, offering greater visibility through installation location, variable flash patterns and lighting intensity.

Our patent-pending designs feature super-bright, wide-angle LEDs and a high-impact CAB housing for stealth installation.

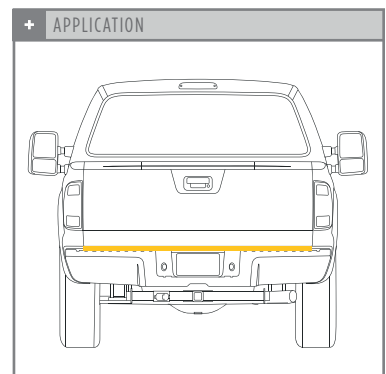
Benefits:

- Minimal profile provides stealth installation—unseen until activation
- Application-specific design ensures perfect fit
- No-drill design allows for ease of installation
- Multiple color combinations and flash patterns



Rear of Vehicle

PART NUMBER:	HG2UNVBP - 1 Pc. Rear Runner Universal Fit (requires RPM12 - Runner Platform Module if used independently)		
APPLICATION:	Exterior Use		
MOUNTING:	Surface mount (no drilling required)		
DIMENSIONS:	(length x height x depth) 61.5" X 1/2" X 1"		
INPUT VOLTAGE:	9 - 15 VDC		
STAND-BY CURRENT DRAW:	.001A		
CURRENT DRAW:	1.5A Average 1A min. / 3A max. dependent on flash pattern		
# OF LEDs:	60 5mm High-intensity, wide-angle LEDs		
OPERATING TEMPERATURE:	-4° to 185° F (-20° to 85° C)		
FLASH PATTERNS:	20		
CHASSIS:	Black finish, impact-resistant ABS plastic		
WARRANTY:	3 Year Replacement, 72-Hour "No Downtime" Guarantee		
COLORS:	Red	Red/Blue	Red/Amber
	Blue	Red/White	Red/Green
	Amber	Blue/White	Blue/Amber
	Green	Amber/White	Blue/Green
	White	Green/White	Green/Amber



Universal Fit
Most Trucks 2007-2011

**V
E
H
I
C
L
E
S**

**Chevrolet Silverado
Dodge Ram
Ford F-Series
GMC Sierra**