



SIDE RUNNER[®]

INSTALL GUIDE

2021+ Chevrolet Tahoe



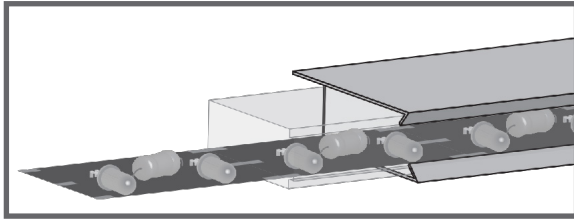
866.468.4569

| www.HG2LIGHTING.com

| Sales@HG2Lighting.com

HG2 **SIDE RUNNER®**

PATENT PENDING • U.S. Patents #6,612,726; #6,962,427



UNDERSTANDING THE GUIDELINES

The HG2 Runner® Package is an extremely versatile emergency lighting system designed for maximum visibility with a minimal footprint. HG2 Runners were developed to enhance the outline of a vehicle's profile (side of vehicle), offering greater visibility through installation location, variable flash patterns and lighting intensity.

Our patent-pending designs feature super-bright, wide-angle LEDs, a high-impact polycarbonate housing and a powder-coated extruded aluminum mounting sleeve for stealth installation.

SAFETY FIRST!

This guide provides information for a safe and proper installation of your HG2 Emergency Lighting product. Please read this guide in its entirety before attempting to install or operate this product.

This guide offers information that could prevent damage or serious injury.

The installation of this kit may require that the vehicle is safely supported off of the ground, using jack stands or a vehicle lift. Never work on a vehicle supported only by a jack. Observe all warnings and procedures as outlined in the manual or instructions provided by the manufacturer of your jack stands, vehicle lift and other necessary tools required to install this kit.

Installer or technician should have a good understanding of automotive electronics, and a general working knowledge of related automotive systems and procedures.

When mounting this product, care must be taken to avoid damage/interference to vehicle components and systems—such as brake and fuel lines, electrical devices (computers and airbag sensors) and wiring:

- Inspect both sides of mounting surface before drilling or inserting fasteners
- Use fasteners of proper length
- Install control components in accessible location that provides for safe operation of the vehicle and product controls under any driving condition
- Do not install this product in a manner that interferes with moving parts, or where lifts or jacks are used to raise the vehicle
- Do not install this product in a manner that interferes with the deployment of an airbag

When wiring this product:

- Deburr and install grommets into any holes drilled for wiring
- Route wires to avoid sources of excessive heat and any moving parts, such as exhaust, suspension systems, brake pedal
- Secure all wires using wire/cable ties or equivalent
- Use NEGATIVE (-) battery post for all chassis ground connections for optimum performance and efficiency
- Do not route wires in a manner that interferes with the deployment of an airbag

The installer or technician assumes any and all responsibility to determine proper mounting location and wire routing, with consideration of the safety of the vehicle operator and passengers.

DO NOT:

- Stare directly into the lights. High-intensity LEDs can cause momentary blindness and/or damage to your eyes
- Mount product/product controls that interfere with/impece safe operation of vehicle
- Attempt to initiate or control this lighting system during hazardous driving conditions
- Clean product with a pressure washer, solvents or other chemicals



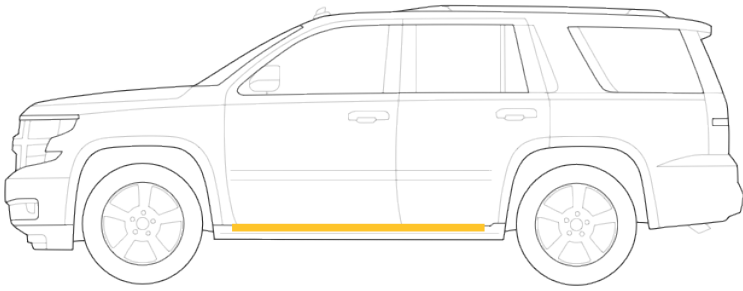
**FAILURE TO FOLLOW THESE GUIDELINES
COULD CAUSE DAMAGE TO THE PRODUCT,
VEHICLE AND/OR SERIOUS PERSONAL
INJURY OR DEATH.**

HG2 SIDE RUNNER®

U.S. Patent: #8,480,253 B1

Side Mount:

2021+ Chevrolet Tahoe



INSTALLATION

Preparation

1. Read the installation guide for this product in its entirety.
2. Unpack product components and review parts list.
3. Bench test Runner Platform Module and HG2 Runner(s) using 12v power supply to ensure components are in working order.
4. **Disconnect negative terminal** from vehicle battery.
5. Remove door sill panels at all door locations.
6. Place vehicle on vehicle lift or jack stands (optional)
7. A-Side refers to Driver Side, B-Side refers to Passenger side

MOUNTING

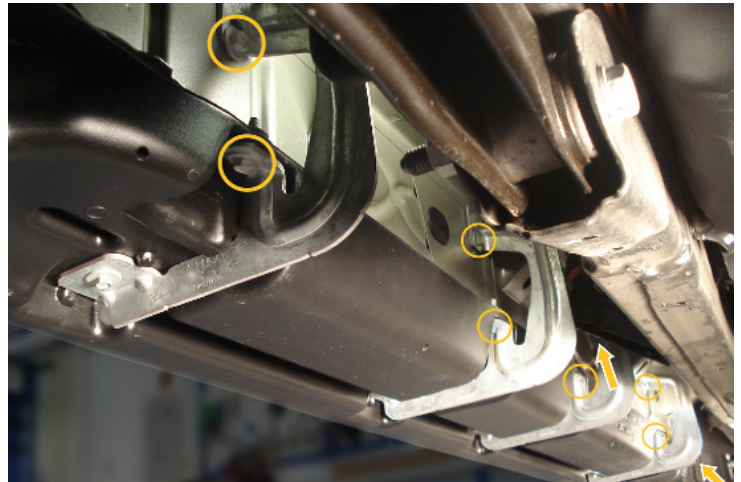
Driver's Side Shown

Repeat steps 1 - 4 for passenger side.

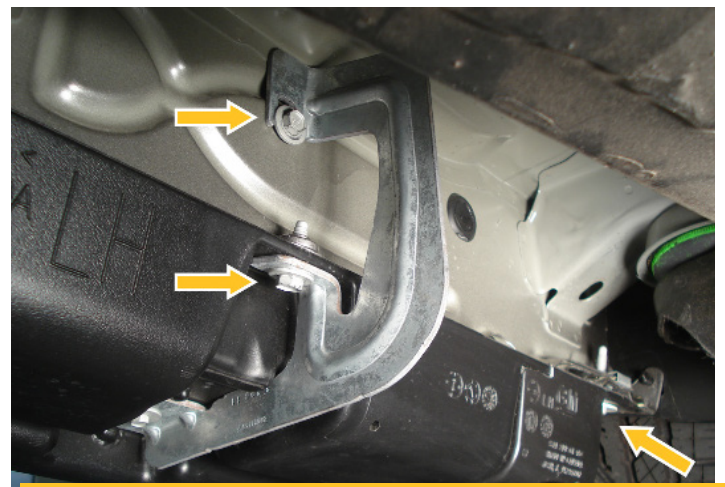


It is highly recommended that the installer has assistance in positioning and holding the runner assembly during the inspection and mounting process.

1. Drop driver's side running board by removing nine (9) bolts from running board mounting brackets

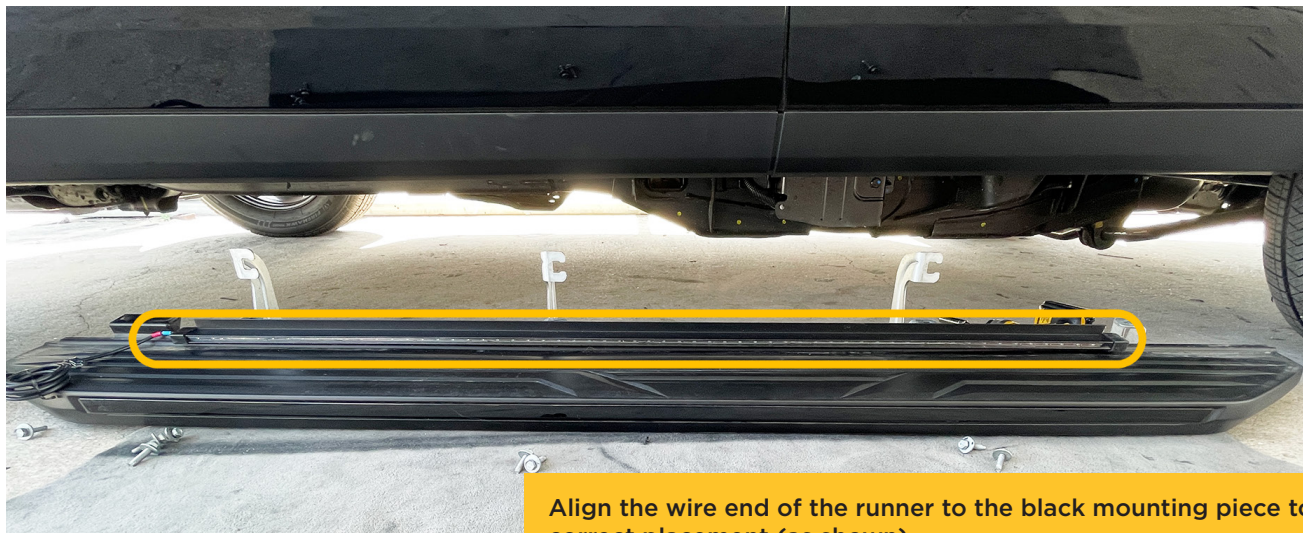


Circles indicate bolts to remove to drop running board. Arrows indicate bolts not visible in photo.



Detail photo illustrates driver front of running board. Note: Front-most bolt must be removed

2. With the running board removed, place the HG2 Side Runner onto the running board with the wiring facing the front of the vehicle.



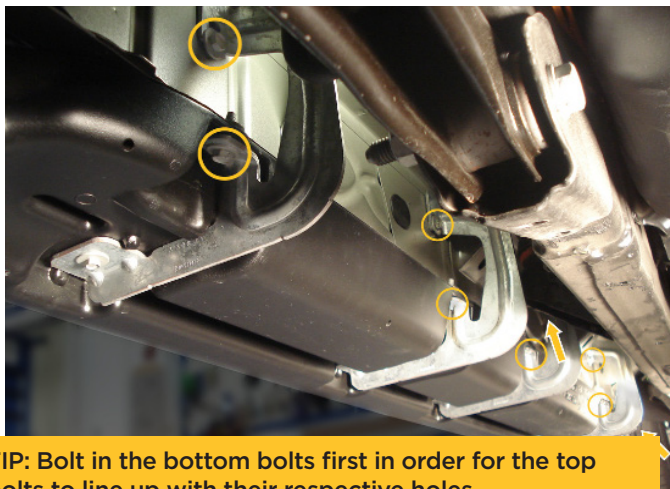
Align the wire end of the runner to the black mounting piece to assure correct placement (as shown).

3. Mount the running board back onto the vehicle with the HG2 Side Runner “sandwiched” between the running board and the vehicle itself.



Detail view of correct placement of HG2 Runner assembly. Rear of HG2 Runner assembly aligns with body line as shown in previous photo.

4. Bolt the 9 bolts back in their original position (The HG2 Side Runner will be held in place by the running board being bolted onto the vehicle).



TIP: Bolt in the bottom bolts first in order for the top bolts to line up with their respective holes.



Image illustrating the HG2 Side Runner “Sandwiched” between the running board and the vehicle



Inspect exterior of vehicle to ensure mounting fasteners will not be obstructed by, or damage, vehicle systems such as fuel or brake lines. Examine the vehicle's interior floor, under carpet and door sills to make certain drilling of holes or insertion of fasteners will not damage or interfere with wiring, sensors or computers.

WARRANTY

This warranty gives you certain rights and you may also have other rights that may vary from state to state. This warranty is given only to the end-use purchaser of the accompanying product (referred to in this warranty as “this Product”).

Product Registration

HG2 Emergency Lighting warrants Products within the “Warranty Period” and that have been properly registered. To register this Product, go to www.hg2lighting.com. Each HG2 product must be registered within 90 days of purchase.

What Is Covered

HG2 Emergency Lighting warrants to you for the Warranty Period that there are no defects in the materials and workmanship of this Product. The “Warranty Period” is a maximum of 5 years (Limited) from the date of purchase with proof of purchase.

What Is NOT Covered

This warranty is **VOID—that is, this Product has no warranty**—if **(1)** you did not purchase this Product from an authorized HG2 reseller within the United States, **(2)** this Product has been serviced, modified or tampered with by anyone other than an Authorized Service Representative of HG2 Emergency Lighting **(3)** the serial number has been modified, defaced or removed from this Product, **(4)** this Product has been abused or purposely damaged, **(5)** non-HG2 controllers have been used, **(6)** this Product has been transported without the proper preparation and packaging, **(7)** a non-certified HG2 Installer performed work on the unit or installed the unit.

If Your Product Defective

Call 866-468-4569, or if you suspect a defect in materials or workmanship in this Product, you can report it to a HG2 Emergency Lighting Authorized Service Center. During the Warranty Period, supply HG2’s representative with a copy of your dated bill of sale showing that this Product was purchased within the United States. For the name of HG2 Authorized Dealer or Distributor call 866-468-4569. After contacting the HG2 Authorized Dealer or Distributor, you may be required to deliver or send the Product properly packaged, freight prepaid, to the Authorized Service Center together with a photocopy of your bill of sale.

What HG2 Will Do

HG2 will evaluate your report of a possible defect to determine whether a defect exists, and if it does exist, HG2 (or its Authorized Service Center) will repair this product or (at HG2’s option) replace

this Product with a product that performs the same functions and performs as well as the original Product. HG2 reserves the right to supply refurbished or remanufactured replacement products provided that the replacement products meet the manufacturer’s specifications for new products. The repaired or replacement product will be returned to you at no cost.

Exchange Service

HG2 Emergency Lighting Systems are covered by an 5 Year Limited Warranty. You must contact HG2 Support to first troubleshoot the issue, and if this Product is deemed inoperable, then a RMA (Return Merchandise Authorization) will be opened and sent to you. All RMA shipments must have the RMA number listed on the box or on a form in the box. Return shipments without RMA information attached will not be guaranteed.

HG2 Support

Toll-free customer service and technical support is available for assistance at 866-468-4569. You may access more HG2 support by going to the HG2 website at: www.hg2lighting.com.

Please keep a record of this Product by completing the online registry. In response we will send a confirmation of the approved registered products. Retain this information with your proof of purchase (bill of sale) in case your Product is lost, stolen, or requires service.

You may ship this product back to

Attn: Returns
HG2 Emergency Lighting
477 N. Semoran Blvd, Orlando FL, 32807

Important

We recommend that you keep all original packing materials, in the event that you ship this product.

HG2 Emergency lighting reserves the right to discontinue, modify, or upgrade any products it manufactures with design improvements without prior notice.

THIS WARRANTY IS GIVEN IN LIEU OF ALL OTHER WARRANTIES, WRITTEN OR ORAL, WHETHER EXPRESSED BY AFFIRMATION, PROMISE, DESCRIPTION, DRAWING, MODEL, OR SAMPLE. ANY AND ALL WARRANTIES OTHER THAN THIS ONE, WHETHER EXPRESSED OR IMPLIED, INCLUDING IMPLIED WARRANTIES OF MERCHANTABILITY AND FITNESS FOR PARTICULAR PURPOSE, ARE HEREBY DISCLAIMED.

PATENT PENDING • U.S. Patents #6,612,726; #6,962,427, #8,480,253 B1